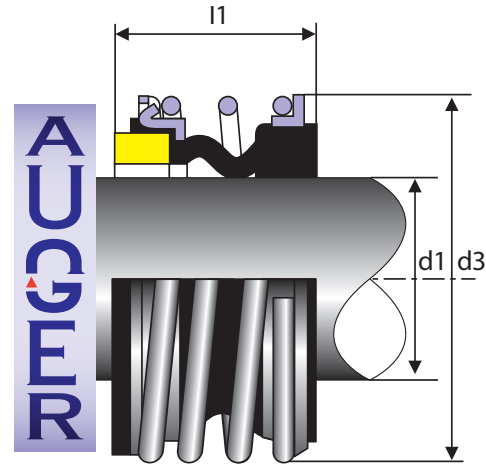


# ▶ AUGER SEAL TYPE AG1



▼ WE SEAL PUMPS!

Dimensions in millimeters

d1	d3	l1
10	22,50	14,50
12	25,00	15,00
14	28,50	17,00
*15	28,50	17,00
16	28,50	17,00
18	32,00	19,50
20	37,00	21,50
22	37,00	21,50
24	42,50	22,50
25	42,50	23,00
28	49,00	26,50
30	49,00	26,50
32	53,50	27,50
33	53,50	27,50
35	57,00	28,50
38	59,00	30,00
40	62,00	30,00
43	65,50	30,00
45	68,00	30,00
48	70,50	30,50
50	74,00	30,50
53	78,50	33,00
55	81,00	35,00
58	85,50	37,00
60	88,50	38,00
63	90,00	
65	93,50	40,00
68	96,50	40,00
70	99,50	40,00
75	107,00	40,00
80	112,00	40,00
85	120,00	41,00
90	127,00	45,00
95	132,00	46,50
100	137,00	47,00

## SPECIFICATIONS

- Pmax: 15 bar
- T°C: -15 ~ 200°C
- Double directional

## APPLICATIONS

- Submersible pumps
- Centrifugal pumps
- Water pumps
- Mixers

## MATERIALS

- Faces: Q, Q1, Carb, TC
- Metal parts: st/st 304 & 316
- Bellows: Nitril, EPDM, Viton

## REMARKS

- 15 mm not acc. to DIN
- Special dimensions on request

**AUGER**<sub>N.V.</sub>

Kemelbeekstraat 30 - 2460 TIELEN - Belgium

T +32 (0)14 86 03 55 E info@auger.be W www.auger.be